

## Convair cooler master m3000 manual



### OWNER'S MANUAL

Portable Evaporative Cooler



M3000 Coolmaster

(English) (M3000)

convair

**File Name:** Convair cooler master m3000 manual.pdf

**Size:** 4749 KB

**Type:** PDF, ePub, eBook

**Category:** Book

**Uploaded:** 18 May 2019, 14:31 PM

**Rating:** 4.6/5 from 775 votes.

## Download Now!

Please check the box below to proceed.



I'm not a robot



reCAPTCHA  
Privacy - Terms

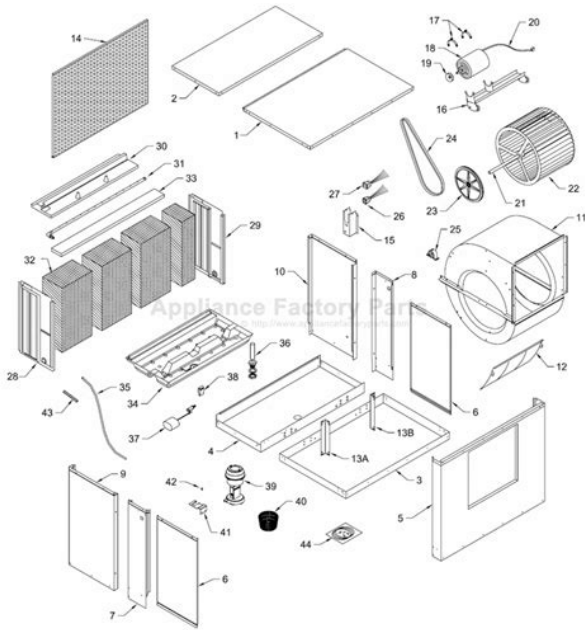
## Book Descriptions:

# Convair cooler master m3000 manual



We're committed to dealing with such abuse according to the laws in your country of residence. When you submit a report, we'll investigate it and take the appropriate action. We'll get back to you only if we require additional details or have more information to share. Note that email addresses and full names are not considered private information. Please mention this; Therefore, avoid filling in personal details. The manual is 1,07 mb in size. If you have not received an email, then probably have entered the wrong email address or your mailbox is too full. In addition, it may be that your ISP may have a maximum size for emails to receive. Check your email Please enter your email address. Ask your question here. Provide a clear and comprehensive description of the issue and your question. The more detail you provide for your issue and question, the easier it will be for other Convair M3000 Coolmaster ILL1409A owners to properly answer your question. Ask a question About the Convair M3000 Coolmaster ILL1409A This manual comes under the category Airconditioning and has been rated by 1 people with an average of a 8.3. This manual is available in the following languages English. Do you have a question about the Convair M3000 Coolmaster ILL1409A or do you need help. Ask your question here Convair M3000 Coolmaster ILL1409A specifications Brand This is why it is recommended to clean the filters of your Convair air conditioner at least four times a year. ManualSearcher.com ensures that you will find the manual you are looking for in no time. Our database contains more than 1 million PDF manuals from more than 10,000 brands. Every day we add the latest manuals so that you will always find the product you are looking for. It's very simple just type the brand name and the type of product in the search bar and you can instantly view the manual of your choice online for free. ManualSearcher.com If you continue to use this site we will assume that you are happy with it. Read more Ok. <http://hnnccfp.com/userfiles/fender-super-sonic-112-manual.xml>

- 1.0.



Companies cant alter or remove reviews from ProductReview.com.au. sam l sydney Write a review on ProductReview.com.au ! Albinus Darling Downs, QLD 30 reviews 18 likes Im on the Darling Downs and this will drop temperatures 510c in an hour dependent on outside humidity. Its stupidly simple mechanically. Mechanical pump makes maintenance easy. Blower can be a little noisy but we have humid nights here so not an issue. Easily moved. Keeps our felines cool while were at work. Cheap as chips to run. Positives Affordable to run. Reliable. Negatives Not for humid environments. Date Purchased Oct 2009 Like Share More Similar opinion. We had one of these for years, and it worked great. Sold it when we moved to a house with ducted aircon. Yes it requires airflow, and yes it uses water. But it worked a treat especially in Perths hot dry summers. Like Share More Similar opinion. Write a review on ProductReview.com.au ! Find out how Convair M3000 Coolmaster compares to other Portable Air Conditioners Know better, choose better. Compare all Barb Noisy but thats also bonus for me living on busy street, drowns out street noise. Does need top up last thing at night to ensure doesnt run out of water. Great product, looking for one for my daughter now Cool to sleep. Inexpensive. Doors stay open Noise, open window Like Share More Similar opinion. Write a review on ProductReview.com.au ! OZFox40 AU 68 reviews 21 likes The last Convair cooler I had was the type with a rotating fan grille on the front and at high fan speed it would spit water and crackle with virtually no cooling effect whatsoever just lots of humidity and that was with a window open behind it! Noisy too. Not something to be in the same room as while it is running. There are better Convair portable aircons available experience has told me to steer clear of ones that need to be filled with water. Energy efficient, ideal for simpl. Read more e, small room area cooling. Works well for its design when new. <http://elemonbg.com/Files/fender-supersonic-amp-manual.xml>



## OWNER'S MANUAL

Portable Evaporative Cooler



M3000 Coolmaster

(English) (M3000)

convair

Big, bulky, plus the fact that it does not actually cool any room down sufficiently as opposed to those aircons which do not require the filling of a water tank to cool a room. Over time, and with frequent use, the water tank will become dirty and eventually the pump as it becomes clogged will cause the water to seep through to the front grille and spit in your face at high fan speed. Write a review on ProductReview.com.au ! ebby51 2 reviews I would never buy another one as I have had the same trouble with two of them It cools the air good and is ideal for a living room. Be careful as the legs have come off because I happened to move it Like Share More Similar opinion. Whether you love or loath being in the kitchen, our community of reviewers have determined that out of almost 5,000 appliances on ProductReview.com.au, these are the best available! Nathan S. Nov 01, 2019 Best Fridges and Dishwashers in 2020. These large kitchen appliances are the backbone of your kitchen, meant to last you many years. The initial cost of a fridge or dishwasher is high, so to make sure youre not buying a lemon, here are the best fridges and best dishwashers of 2020. Our reviewers have provided detailed ratings for important factors to consider when choosing a refrigerator or dishwasher, such as Noise Level and Internal Layout. Wendy Z. Nov 12, 2019 Listing monitored by Convair representatives. ProductReview.com.au has affiliate partnerships. The water inlet door is opened by pulling it at the top Fig 7. Fill the appliance with clean water. The water capacity is 18 litres. The minimum amount of water needed for the pump to operate is 4 litres Fig 8. T ry to position the cooler where you wish to use it before you fill to avoid unnecessary spillage. Do not overfill as water will spill out of the cooler. The cooler is full when the water level indicator shows the highest reading. Close the water inlet door after filling.

I L L 2 2 5 A 6 How to get the best cooling performance Place the cooler with its back near to an open window or door so it can draw in 100% fresh air. Open another window or door on the opposite side of the room for flow through ventilation Fig 6. This cooler will not cool properly in a closed room. Safety instructions As this cooler contains water, ensure it is moved carefully and is not tilted as water may spill Fig 9. Always switch off and remove the plug before servicing the cooler. Do not store anything on top of the cooler. 7 6 7 8 9 Using the cooler Low fan speed High fan speed Fan only ventilation 1 is selected for quietest operation Fig 1 1. 3 is for maximum cooling Fig 12.. When

this appliance is used as an air cooler it should be filled with water and the COOL knob turned to the ON position Fig 10. The cooler may be used as a fan only. This is set by turning the COOL knob to the OFF position Fig 13. Conditioning of the aspen cooling pad To get the best performance from your cooler, we recommend that when first used it is run with water for at least 10 minutes at the setting in Fig 12. During this process the water becomes slightly yellow, and there is a natural smell of damp wood. This is normal. Air direction control Adjust the air guide vane levers as required. They are located at the top of the front grille Fig 14. I L L 2 2 8 A 10 I L L 2 2 9 A AIR 0 2 3 1 COOL On Off 10 I L L 1 4 3 9 A AIR 0 2 3 1 COOL On Off 1 1 I L L 2 3 0 A AIR 0 2 3 1 COOL On Off 13 I L L 2 3 1 A AIR 0 2 3 1 COOL On Off 12 14 U kunt hieronder aangeven waarom deze vraag ongepast is. Wij controleren de vraag en zonodig wordt deze verwijderd. Emailadressen en volledige namen worden niet als privegegevens beschouwd. Wij vragen u dus ook te reageren op een antwoord. Laat uw emailadres achter op deze site, zodat u op de hoogte blijft. U krijgt dan ook andere vragen en antwoorden te zien. De handleiding is 1,07 mb groot.

<https://labroclub.ru/blog/boss-dd7-service-manual>

Als u geen email heeft ontvangen, dan heeft u waarschijnlijk een verkeerd emailadres ingevuld of is uw mailbox te vol. Daarnaast kan het zijn dat uw internetprovider een maximum heeft aan de grootte per email. Omdat hier een handleiding wordt meegestuurd, kan het voorkomen dat de email groter is dan toegestaan bij uw provider. Controleer uw email Vul dan hier uw emailadres in. Page Count 16 Beats the others cold. At the touch of a button, turn any room in the home or office into your personal comfort zone. High performance portable heating and cooling You deserve the world's best. Convair portable evaporative coolers are versatile, easy to move and so cheap to operate. Running costs for an evaporative cooler are significantly lower than any other form of portable cooling saving you money while doing your bit for the environment. Convair blows the rest away with cooling performance that is superior to all other comparable evaporative coolers. Take a look at the advanced design features page 7 which set Convair apart from the rest you'll be blown away too with Convair's design and performance. Be assured that your Convair cooler will withstand scorching Australian conditions year after year. In fact the hotter it is the better Convair performs, both inside and out. Convair's advanced fan technology combined with cleverly designed filter pads provides optimum cooling performance with superquiet air delivery. This means that Convair is the ideal choice for cooling bedrooms, ensuring a wonderful night's sleep. The Australian way Convair portable evaporative coolers contain no harmful CFC gases and provide cooling that is

refreshingly clean. Air is drawn into the unit and cooled naturally as it passes through water moistened pads. Nothing could be simpler, cleaner or healthier. Inside. Some air conditioners require you to close up the house to deliver cooling.

<https://fiaxell.com/images/6es7138-4da04-0ab0-manual.pdf>

With Convair evaporative coolers, windows and doors can stay open so that you can enjoy the best of summer and still stay cool. Convair evaporative coolers are totally portable and so versatile simply unplug the power cord and move to any room in the house. What could be easier. Great at relieving the summer heat in bedrooms, family rooms and living areas but have you considered a cooling solution for your alfresco or outdoor entertainment area. Convair has an evaporative cooling solution that can be used for both indoors and out. The Convair cooling advantage and out. You deserve the world's best. Portable evaporative cooling that really works. Blows the rest away! Water distribution system Convair has a patented water distribution system that ensures the filter media stays totally saturated. The unique channel design resists clogging and delivers a steady, even water distribution at all times. Many imported units have a water distribution system where water is pumped into a trough at the top of the unit and distributed to the filter media via small holes. These holes are easily blocked by sediment and result in sections of the pad not staying saturated. Dry sections of the pad allow air to rush through without delivering any cooling effect. Ours The filter media must be completely saturated at all times, to maximise cooling. Portable evaporative cooling that really works. Portable evaporative cooling that really works. Convair Magicool Convair Magicool Convair Magicool Competitor product Competitor product Competitor product You deserve the world's best. Tough, rugged coolers that output large volumes of cool, fresh air right where you need it. Outdoor Indoor Cooling YEAR WARRANTY Convair Outback models are perfect for large open plan living areas and offices with the unique ability to also provide highly effective cooling in outdoor applications such as alfresco living, patios and workshops.

<https://eurodente.com/images/6es7138-4fr00-0aa0-manual.pdf>



Beat the heat OUTBACK with Conv air. SI5000 45 Litre capacity SI4000 30 Litre capacity AUSTRALIAN MADE Built and tested for Australian conditions AUSTRALIAN OWNED Convair is wholly Australian owned The above analysis was drawn from Meridian Test Laboratory test analysis. The testing was performed by a NATA accredited laboratory to the requirements of Australian Standards AS2913 "Evaporative Airconditioning Equipment". Cooling effect calculated with ambient conditions 38 O C DB, 21 O C WB, target room temperature 27.4 O C. Correct at time of printing. The testing was performed by a NATA accredited laboratory to the requirements of Australian Standards AS2913 "Evaporative Airconditioning Equipment". Cooling effect calculated with ambient conditions 38 O C DB, 21 O C WB, target room temperature 27.4 O C. Correct at time of printing. Ioniser and multistage filtration By combining Convair ' s multistage electrostatic filtration system and IONISER, ClimateMaster delivers cleaner, healthier indoor air quality, as well as providing many additional health benefits associated with Negative ION technology. Soft touch control panel and Remote control. From the comfort of your lounge chair or at the unit itself, you are in total control. Dehumidification function By cleverly removing excess moisture from the air, comfort level and cooling performance is optimised. Sleep mode Reduced noise levels, self adjusting temperature control and auto operation to ensure a good night ' s sleep it ' s a real dream. Get ready for the perfect night ' s sleep with the intelligent "sleep mode " from ClimateMaster. ClimateMaster offers a wide choice of cooling only models for summer cooling while also providing reverse cycle model options for yearround heating and cooling comfort. As reverse cycle air conditioning is one of the most energy efficient and cost effective forms of portable electrical heating available, ClimateMaster is the obvious choice for comfort control, all year long.

Beats the others cold ! Beats the others cold. Beats the others cold. Established in 1972, Seeley International has grown to become Australia's largest air conditioning manufacturer with brands including Breezair, Climate Wizard, Braemar, Convair and Coolair. 100% Australian owned, Seeley International exports Australian made products to more than 110 countries and also distributes and markets the best of the world's refrigerated air conditioning products under licence in Australia. Seeley International, world leader in advanced, energy efficient cooling technology. Their range includes portable tower fans, refrigerated air conditioners and portable panel heaters, so you can be comfortable all year round. Owner's Manual. Mode d'emploi. Bedienungsanleitung Page 3 Contents. Features of the system. 5 About the Scene Memory function. 31 Control panel. 6 Page 5 Features of the system Features of the system. Page 6 Control panel Control panel Page 7 Control panel. Page 8 Control panel Page 9 Control panel. U VCA GROUP select switches V Channel fader Page 10 Control panel Page 11 Control panel Page 12 Control panel Page 13 Control panel Page 17 Control panel A. Page 18 Control panel Page 19 Control panel Monitor section This indicator will light if even one of the input chan Page 21 Control panel Talkback section These switches select the type of test oscillator, and Page 23 Control panel Page 24 Control panel Meter bridge Page 29 Rear panel By con Output connector for illumina Page 31 About the Scene Memory function About the Scene Memory function. What is scene memory. About the modes of the Scene Page 32 About the Scene Memory function Page 33 About the Scene Memory function Operations in check mode mode Page 35 About the Scene Memory function Page 36 About the Scene Memory function Page 39 About the VCA functionality. Using two or more VCA master faders Using multiple VCA master faders to Input

specificationsPage 47 M IDI Implementation Chart M. Model M3000 MIDI Implementation Chart  
Version 1.

<https://webmodeli.com/wp-content/plugins/formcraft/file-upload/server/content/files/16285566a66ce7---Bushnell-model-78-3650-manual.pdf>

0Page 48 YAMAHA CORPORATION. V302330 R2 1 AP 148 P.O. Box 3, Hamamatsu, 4308651, Japan.

<dienlanhhaiphong247.com/upload/files/compare-and-contrast-the-difference-between-manual-typewriter-and-word-processor.pdf>

<http://eco-region31.ru/boss-dd7-service-manual>